

NFS13DP-F

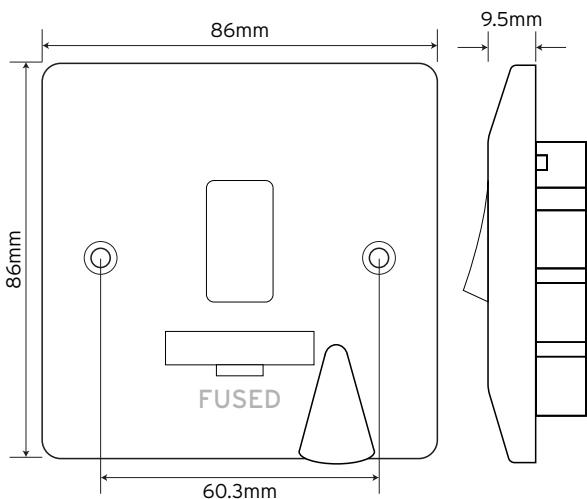
13A Switched Fused Connection Unit



20
YEAR
GUARANTEE

A new take on traditional moulded wiring accessories manufactured in bright white Urea.

Technical Drawing



Technical Specifications

Material Composition	Front Plate, Rocker Switch & Rear Housing - Urea Terminals - Brass Terminal Screws - Steel & Yellow Passivated Internal Mechanism - Formed Press Brass Silver "on-lay" Copper / Brass Contacts
Voltage	240V~ 50Hz
Current Rating	13A
Terminal Size	5mm ϕ
Torque Value	2.5Nm
Cable Size	3 x 2.5mm ² or 2 x 4.0mm ²
Double Pole	Yes
Twin Earth	Yes
Back Box Depth	25mm
Warranty	20 Years
Anti Microbial Certified	Yes
Operational Temperature	-5° to +40° C
Standards	The Low Voltage Directive 2006/95/EC, Modified ISO 22196, BS 1363-4:1995+A4:2012, Fuses to BS 1362:1973
Dimensions	86x86x10mm (HxWxD)