

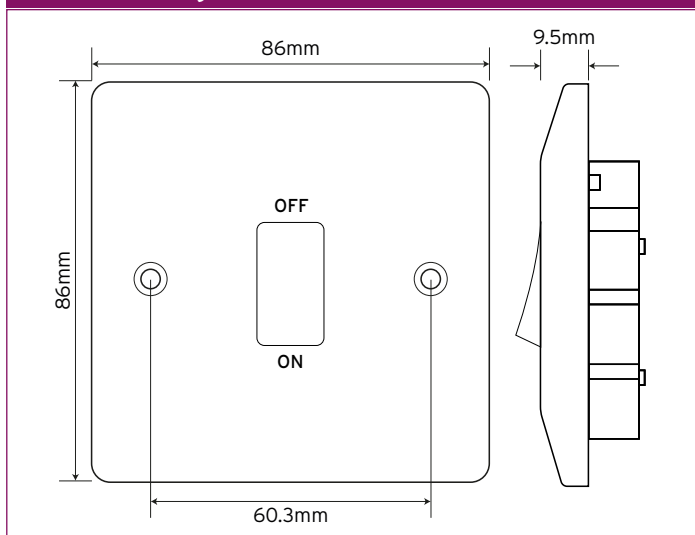
## NSP45DP 45A Double Pole Switch



**20  
YEAR  
GUARANTEE**

A new take on traditional moulded wiring accessories manufactured in bright white Urea.

### Technical Drawing



### Technical Specifications

<b>Material Composition</b>	Front Plate & Rocker Switch - Urea Rear Housing - Nylon & Urea Terminals - Brass, Terminal Screws - Steel & Yellow Passivated Internal Mechanism - Formed Press Brass Silver "on-lay" Copper / Brass Contacts
<b>Voltage</b>	240V~ 50Hz
<b>Current Rating</b>	20A
<b>Terminal Size</b>	5mm $\phi$
<b>Torque Value</b>	1.8Nm
<b>Cable Size</b>	4 x 4mm <sup>2</sup> , 3 x 6mm <sup>2</sup> , or 1x10mm <sup>2</sup>
<b>Double Pole</b>	Yes
<b>Twin Earth</b>	Yes
<b>Back Box Depth</b>	35-47mm
<b>Warranty</b>	20 Years
<b>Anti Microbial Certified</b>	Yes
<b>IP Rating</b>	IP20
<b>Operational Temperature</b>	-5° to +40°C
<b>Standards</b>	The Low Voltage Directive 2006/95/EC BS EN 60669-1:1999 + A1:2002 + A2:2008 Modified ISO 22196
<b>Dimensions</b>	86x86x9.5mm (HxWxD)