

NSPMINT

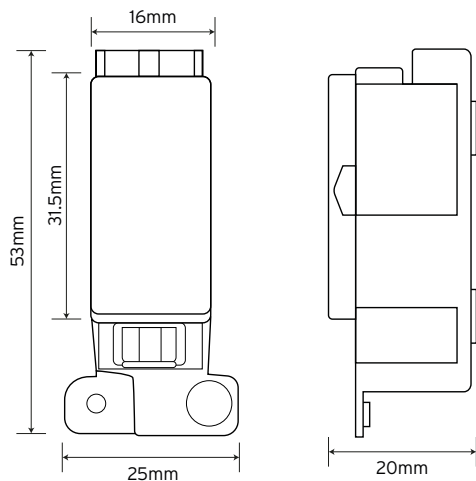
Intermediate Switch Module



**20
YEAR
GUARANTEE**

A new take on traditional moulded wiring accessories manufactured in bright white Urea.

Technical Drawing



Technical Specifications

Material Composition	Rocker Switch - Urea Rear Housing - Nylon Terminals - Brass Terminal Screws - Steel & Yellow Passivated Contacts - Silver "on-lay" Copper / Brass Internal Busbars - Formed Pressed Brass
Maximum Voltage	250V~ 50Hz
Load Rating	10AX (Suitable for Inductive Loads)
Terminal Size	3.5mm \varnothing
Torque Value	0.4Nm
Terminal Capacity	4 x 1.5mm ² or 2 x 2.5mm ²
Back Box Depth	Dependent On Plate Used
Operational Temperature	-5°C to +40°C
Warranty	20 Years
Dimensions	53 x 25 x 20mm (HxWxD)
Aperture Dimensions	31.5mm x 16mm (HxW)
Standards	BS EN 60669-1:1999 +A1:2002 +A2:2008