

# NSPMKEY

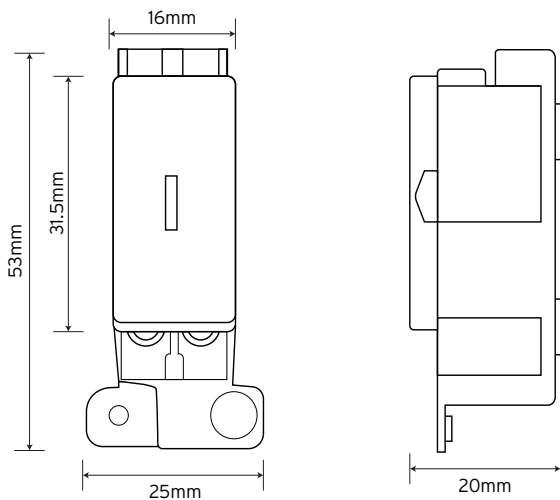
## Key Switch Module



**20  
YEAR  
GUARANTEE**

A new take on traditional moulded wiring accessories manufactured in bright white Urea.

### Technical Drawing



### Technical Specifications

<b>Material Composition</b>	Rocker Switch - Urea Rear Housing - Nylon Terminals - Brass Terminal Screws - Steel & Yellow Passivated Contacts - Silver "on-lay" Copper / Brass Internal Busbars - Formed Pressed Brass
<b>Maximum Voltage</b>	250V~ 50Hz
<b>Load Rating</b>	10AX (Suitable for Inductive Loads)
<b>Terminal Size</b>	3.5mm $\varnothing$
<b>Torque Value</b>	0.4Nm
<b>Terminal Capacity</b>	4 x 1.5mm <sup>2</sup> or 2 x 2.5mm <sup>2</sup>
<b>Back Box Depth</b>	Dependent On Plate Used
<b>Operational Temperature</b>	-5°C to +40°C
<b>Warranty</b>	20 Years
<b>Dimensions</b>	53 x 25 x 20mm (HxWxD)
<b>Aperture Dimensions</b>	31.5mm x 16mm (HxW)
<b>Standards</b>	BS EN 60669-1:1999 +A1:2002 +A2:2008