



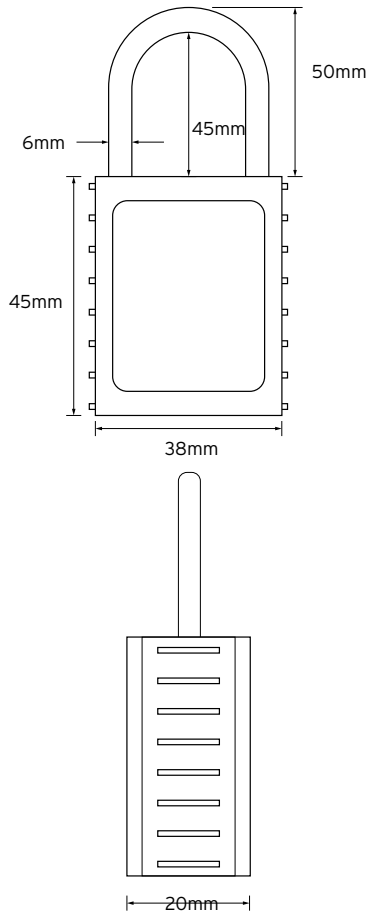
NiGLON

Circuit Protection

PLR38

Safety Padlocks

Technical Drawing



Technical Specifications

Min. Service Temp. °C	-34 °C
Max. Service Temp. °C	121 °C
Weight	79.5g
Material	Nylon
Shackle	Steel
Dimensions (Without Shackle)	45 x 38 x 20mm (HxWxDmm)