

niglon

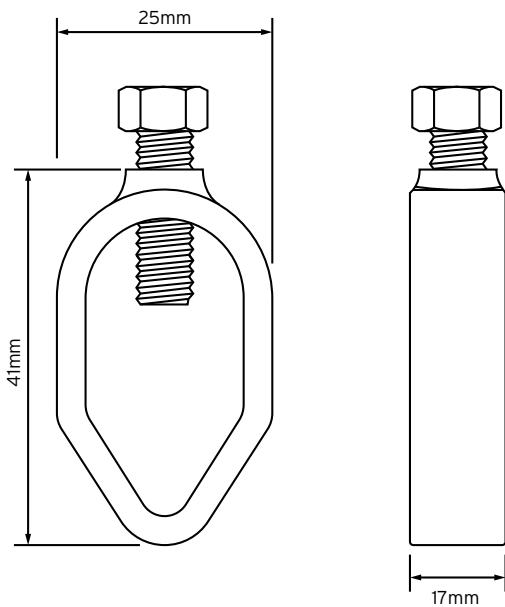
Earthing

SDCC34

Standard 'G' Type cable clamp for 3/4" Rod



Technical Drawing



Technical Specifications

Max. Conductor	35-95mm ²
Tightening Torque	12Nm
Standards	BS EN 62561, BS 7430, UL 467
Material	Gunmetal (Body) Phosphor Bronze (M10 x 25mm Set Screw)
Suitable for use with	8mm Ø solid circular copper conductor
Dimensions	41 x 25 x 17mm/48 x 30 x 19mm (H x W x D)
Weight	0.06kg