

# niGLON

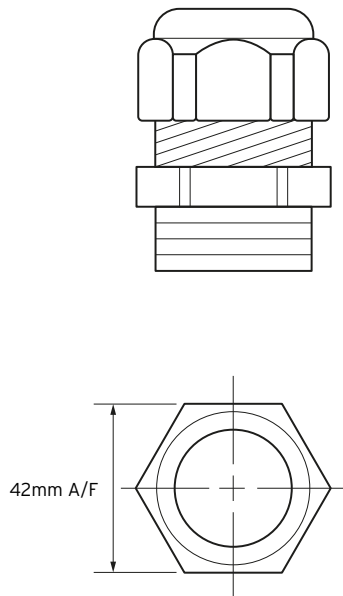
## Circuit Protection

### CBTK-S

## Three Phase Gland Tail Kit



#### Technical Drawing



#### Technical Specifications

Protection	IP68
Temp Range	-30°C to 80°C
Material	Nickel plated brass
Colour	Brass
Thread Size	M32 x 1.5
Max Cable Size	4x25mm <sup>2</sup> + 1x16mm <sup>2</sup>
Standards of Compliance	BS EN60529:1992 + A2:2013 BS EN 62444