

niGLON

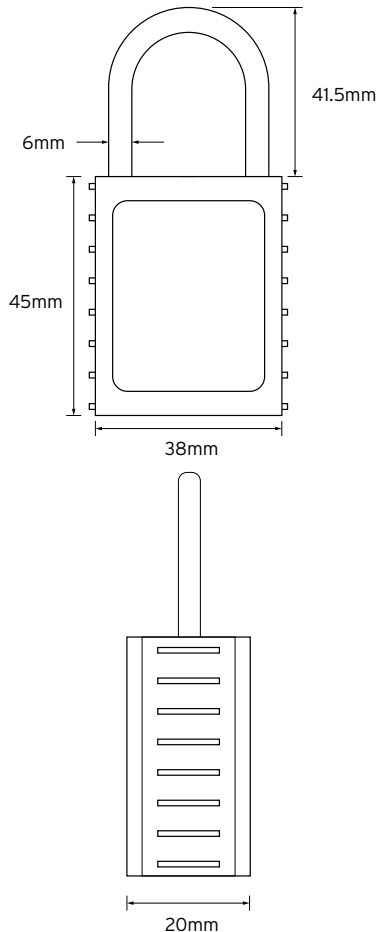
Circuit Protection

PLRINS38

Safety Padlocks



Technical Drawing



Technical Specifications

Weight	79.5g
Material	Nylon
Shackle	Non-conductive
Dimensions (Without Shackle)	45 x 38 x 20mm (HxWxDmm)
Shackle Dia	6.0mm
Shackle Width	33mm
No. keys supplied	2
Individually keyed locks	Yes
Colour	Red Body, Black Handle