
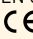

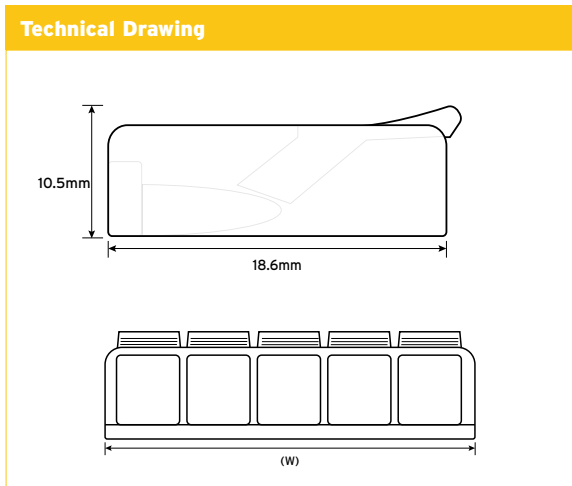


# NG85-50/VPC3

## IP66 Membrane Moulded with 3x Lever Connectors



Technical Specifications - VPC3	
<b>Rating</b>	32A / 450V
<b>Temperature</b>	85°C
<b>Material</b>	Polycarbonate UL94 V2
<b>Standard of Compliance</b>	IEC/EN 60998-1, 60998-2-2   
<b>Conductors</b>	3
<b>Conductor Entry</b>	3 x solid, stranded or fine
<b>Dimensions</b>	8.3 x 18.7 x 18.6mm (H x W x D)



Technical Specifications - NG85-50	
<b>Voltage</b>	400V
<b>Material</b>	PP+GF, Gasket TPE, Flame Retardant, UV Resistant
<b>Glow wire test</b>	750°C
<b>Temp. Range</b>	-30°C - +100°C
<b>Membrane or threaded cable entries</b>	6xM20
<b>Standards</b>	CE & RoHS
<b>IP Rating</b>	IP66
<b>Dimensions</b>	86 x 49 x 50mm
<b>Colour</b>	Black

