

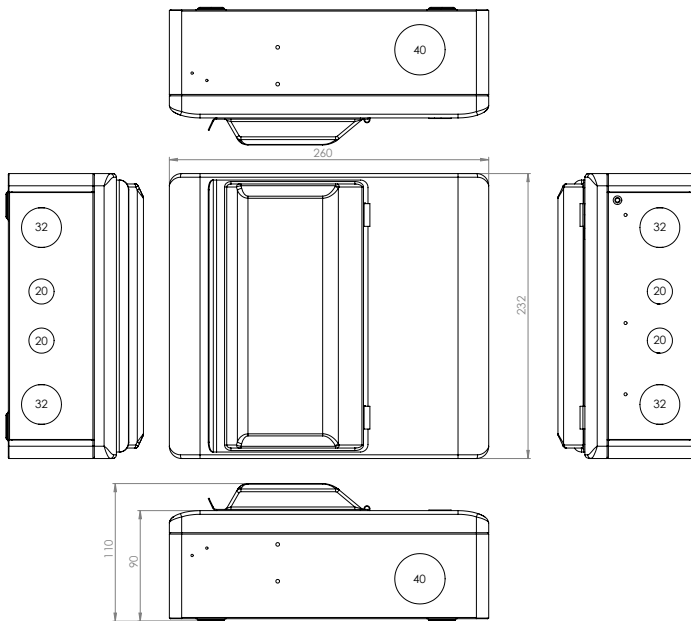
# nigLON

## Circuit Protection

# PCU1008M Isolator Controlled Consumer Unit Right hand Incomer



### Technical Drawing



### Technical Specifications

<b>Material Composition</b>	Steel (Powder Coated)
<b>Configurations</b>	10 Module 8 Free Ways 100A DP Isolator
<b>Rated Operational Voltage (Un/Ue)</b>	230V AC
<b>Rated Current of Assembly (InA)</b>	100A
<b>Rated Frequency</b>	50Hz
<b>Main Switch Terminal Capacity</b>	35mm <sup>2</sup>
<b>IP Rating (Ingress Protection)</b>	IP20
<b>IK Rating (Impact Protection)</b>	IK05
<b>Dimensions</b>	232 (W) x 260 (H) x 110mm (D)
<b>Standards</b>	BS7671:2018, BS EN61439-3
<b>100A Mains Isolator Manufactured to</b>	EN60947:3
<b>Certification</b>	Semko, CE, UKCA

All specifications are SEMKO Certified