

ENCLOSED SWITCHGEAR

MILD STEEL ENCLOSED SWITCHFUSE 3 POLE MS2503PSF-L



250A 3 pole and fixed neutral switch fuse in a larger metal enclosure to IP65. Enclosure has separate lock and reversible door for gland plate either top or bottom. The switch handle is padlockable and defeatable. The switch fuse accepts BS88 fuse links. All terminals are provided with shrouds. Earth studs are fitted and fixing brackets and earth straps are included.

General Characteristics

Standards	BSEN 60947-3
Rated Insulation Voltage at 50/60Hz	1000V
Dielectric Strength	10kV
Rated Impulse Withstand Voltage	12kV
Rated Thermal Current @ 40°C	250A
Rated Operational Current AC-22A up to 550V	250A
Rated Operational Current AC-23A up to 550V	250A
Rated Operational Power AC-23 (1)	132kW
Rated Breaking Capacity AC-23 @ 690V	2000A
Fuse Link Type BS88 (sold separately)	B1 - B3
Fuse Link Range in Amps	32 - 250
Mechanical Endurance	16000
Defeatable Handle	Accepts 3 Padlocks
Weight	18.3Kg
Terminal Bolt Size	M10 x 30
Terminal Tightening Torque	30 ... 44 Nm
Fuse Link Bolt Tightening Torque	15Nm
Operating Torque	22Nm

(1) The kW ratings are accurate for three phase 1500 rpm standard asynchronous motors

Enclosure Characteristics

Standards	BSEN 61439-1
Overall Dimensions HxWxD	1000x800x300mm
Degree of Ingress When Fitted	IP65
Construction	1.2mm Mild Steel
Finish	Epoxy Power Coat
Colour	RAL7035

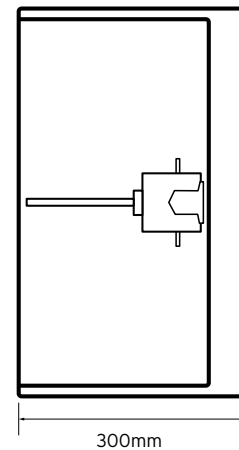
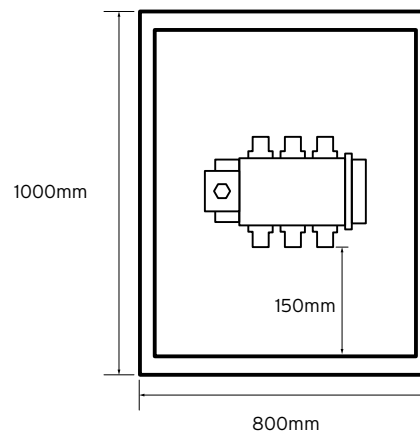
Available Accessories

400AUX1/1SF	1NO/1NC Auxilliary Contact
400AUX2/2SF	2NO/2NC Auxilliary Contact
A4DOCW	A4 Document Wallet
CLS	Cylinder Key Lock
DBPL	3mm Double Bit Padlockable Lock

Additional Information

This product is for use by skilled persons or instructed persons. The installation of this product must comply with current IEE regulations. The IP rating of the unit can be compromised if the correct use of glands is not followed. Terminals, including those factory fitted, must be checked for correct tightness before commissioning. All terminals should be periodically checked for correct tightness. The data herein serves only to describe the product and should not be regarded as representing guaranteed properties in the legal sense. We reserve the rights of modification whilst every care has been taken in ensuring the accuracy of this catalogue, the Supplier accepts no liability whatsoever for any eventuality arising from errors or omissions within its catalogues, brochures or within any online presence.

Technical Drawing



Wiring Diagram

