

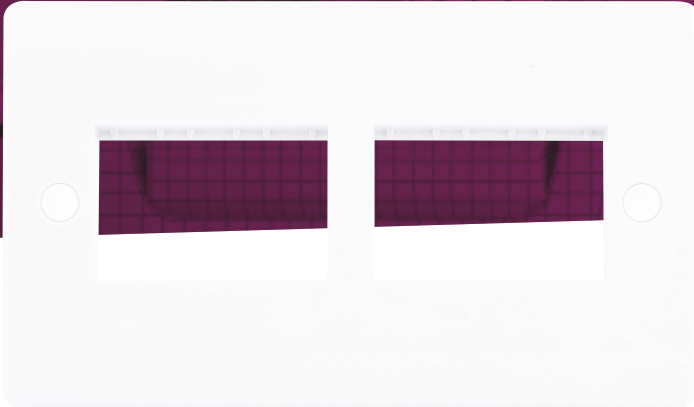
niGLON™

Wiring Accessories

MEDIAN

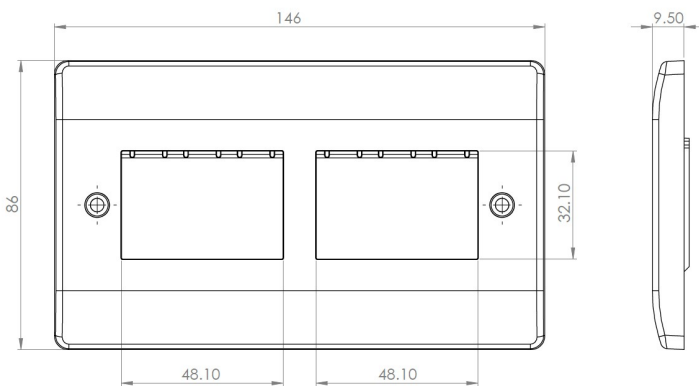
NSP6

6 Gang Frontplate Unfurnished



A new take on traditional moulded wiring accessories manufactured in bright white Urea.

Technical Drawing



Technical Specifications

Material	Urea
No. Modules	6
Backbox Depth	Dependant on Module
Operational Temperature	-5C to +40C
Warranty	20 Years
Dimensions	146 x 86 x 9.5mm
Standards	BS5733
Compatibility	Single and Double width Median modules
Antimicrobial	Yes