

niGLON™

Circuit Protection

SP12S-3PN/50KA

Type 1+2 Surge Protection Device

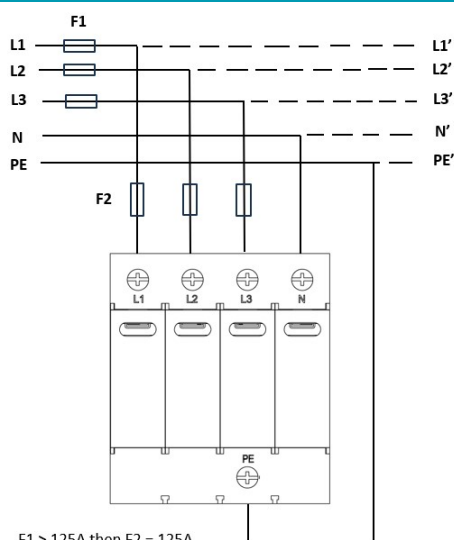


A four module 3 pole and neutral Type 1+2 combined lightning and surge arrester with remote signal contact. Suitable for use where the risk of lightning strikes is high, particularly in buildings with a lightning protection system.

Technical Specifications

Network System	TN-S
Mode of Protection	L-PE, N-PE
Protective Element	High Energy MOV
Mounting	Din Rail
Max Cable Size	35mm ²
Terminal Screw	
Torque	3.0Nm
Remote Signaller	Yes (max cable 1.5mm ²)
Fault Indicator	Green:Ok/Red:Replace
Max. Continuous operating voltage (Uc)	275V
Nominal Discharge current 8/20us	20kA
Max. discharge current 8/20us (Imax)	50kA
Voltage protection level (kV) (Up)	1.5kV
Housing Material	Thermoplastic UL 94 V-0
Thermal Protection	Yes
Compliance	IEC 61643-11:2011 IEC 61643-11:2012
Backup Protection	125A (if required) see Tech Drawing
Enclosures (Ways)	EM3420(4), M3CU8E(8), TPN-AE(16)

Technical Drawing



F1 > 125A then F2 = 125A
F1 < 125A Then No F2 required