

# niGLON™

## Circuit Protection

# SP23S-3PN/40KA

## Type 2 Surge Protection Device

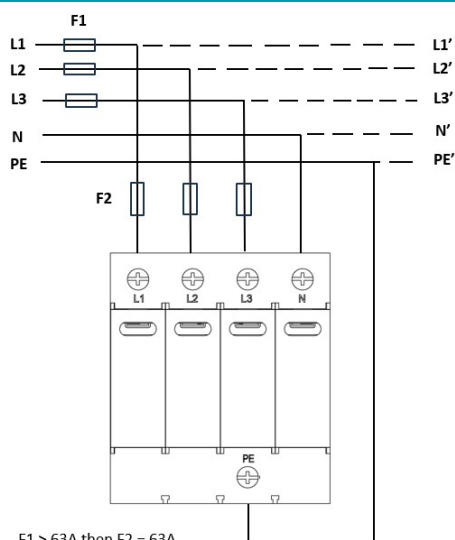


A four module 3 pole and neutral Type 2 combined lightning surge arrester with remote signal contact. Suitable for use in distribution panels in areas with low exposure to lightning strikes.

### Technical Specifications

Network System	TN-S
Mode of Protection	L-PE, N-PE
Protective Element	High Energy MOV
Mounting	Din Rail
Max Cable Size	35mm <sup>2</sup>
Terminal Screw Torque	3.0Nm
Remote Signaller	Yes (max cable 1.5mm <sup>2</sup> )
Fault Indicator	Green:Ok/Red:Replace
Max. Continuous operating voltage (Uc)	275V
Nominal Discharge current 8/20us	20kA
Max. discharge current 8/20us (Imax)	40kA
Voltage protection level (kV) (Up)	1.5kV
Housing Material	Thermoplastic UL 94 V-0
Thermal Protection	Yes
Compliance	IEC 61643-11:2011 IEC 61643-11:2012
Backup Protection	Niglon ref. MCB10C3-63 if required see Tech Drawing
Enclosures (ways)	EM3420(4), M3CU8E(8), TPN-AE(16)

### Technical Drawing



F1 > 63A then F2 = 63A  
F1 < 63A Then No F2 required