

## RELAYS

### SOCKET FOR DPCO SLIMLINE RELAYS 8PSOCK-SLIM



Din rail mounting relay socket for slimline relays. Can be surface mounted. Screw terminals to cage clamp. All switching contacts are one side.

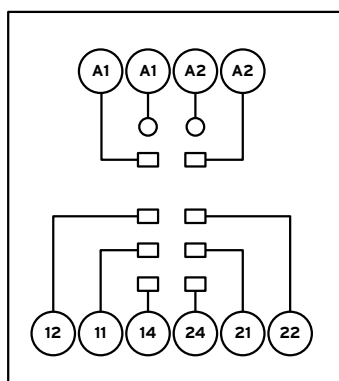
#### General Characteristics

Number of poles	2
Number of pins	8
Rated Current	12A
Rated Voltage	300V
Terminal Capacity	up to 2.5mm <sup>2</sup>
Screw thread	M3
Tightening Torque	0.7 Nm
Width	15.6mm
Height	76mm
Depth	61mm
Weight	0.18Kg

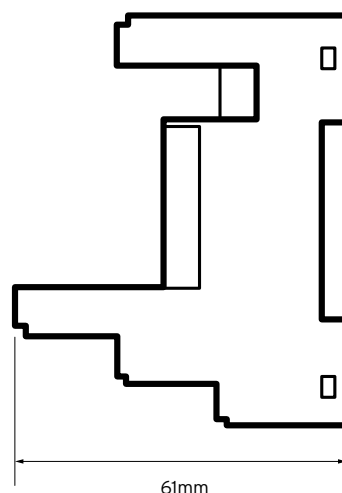
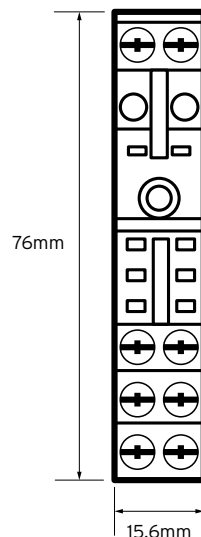
#### Available Accessories

RM1	Plugin diode module 6/220V DC
RM2	Plugin LED module 24V AC/DC
RM3	Plugin LED module 110/230V AC
1PRCLIP	Plastic eject/retain clip

#### Wiring Diagram



#### Technical Drawing



#### Additional Information

This product is for use by skilled persons or instructed persons. The installation of this product must comply with current IEE regulations. Terminals, including those factory fitted, must be checked for correct tightness before commissioning. All terminals should be periodically checked for correct tightness. The data herein serves only to describe the product and should not be regarded as representing guaranteed properties in the legal sense. We reserve the rights of modification, whilst every care has been taken in ensuring the accuracy of this catalogue, the Supplier accepts no liability whatsoever for any eventuality arising from errors or omissions within its catalogues, brochures or within any online presence.