

niglon Control & Automation

ENCLOSURES

ABS PLASTIC - OPAQUE DOOR - PE282113



Economy range wall mounting polycarbonate enclosure intended for outdoor use. Standard RAL7035 colour. High resistance to harsh weather conditions, corrosion and impact. Easily machinable. Metal backplate and fixing brackets included

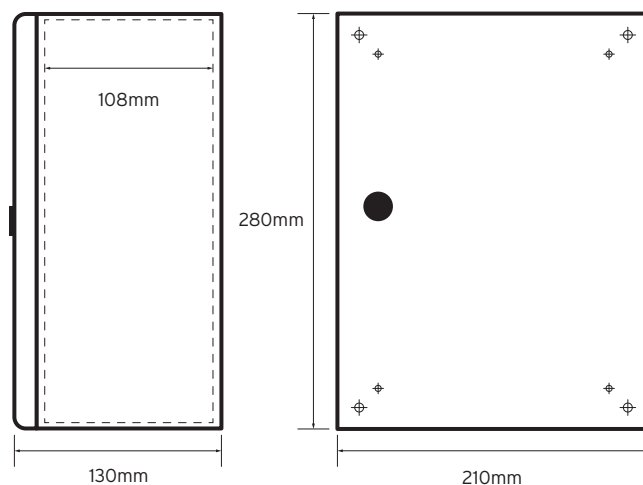
General Characteristics

Material	ABS Plastic
Flame test	650°C Glow Wire
Ingress Protection	IP65 / IK10
Height	280mm
Width	210mm
Depth	130mm
Useable depth with backplate fitted	108mm
Backplate height	190mm
Backplate width	120mm
Number of Locks	1
Operating Temperature	-25°C to +60°C
Weight	1.14 Kg

Available Accessories

Document Pocket	A4DOCW
Key Lock with Butterfly Handle	PEKL

Technical Drawing



Additional Information

The data herein serves only to describe the product and should not be regarded as representing guaranteed properties in the legal sense. We reserve the rights of modification, whilst every care has been taken in ensuring the accuracy of this catalogue, the Supplier accepts no liability whatsoever for any eventuality arising from errors or omissions within its catalogues, brochures or within any online presence.