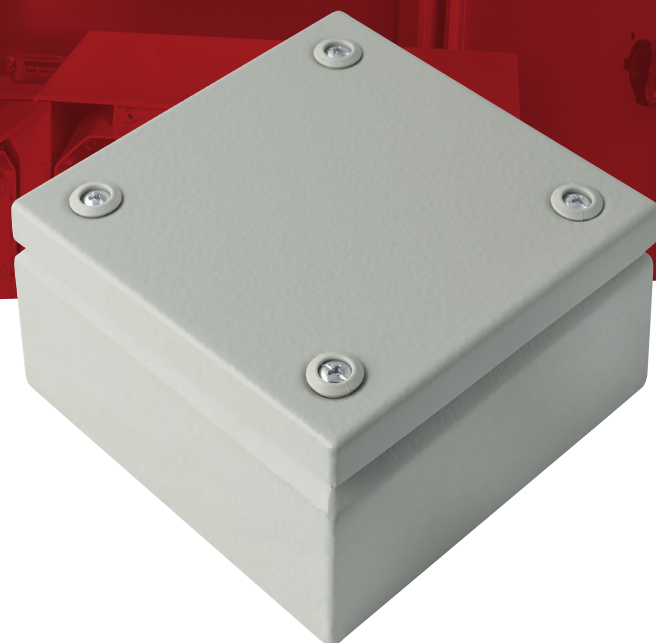


## ENCLOSURES

### TERMINAL BOXES, MILD STEEL - TS203012

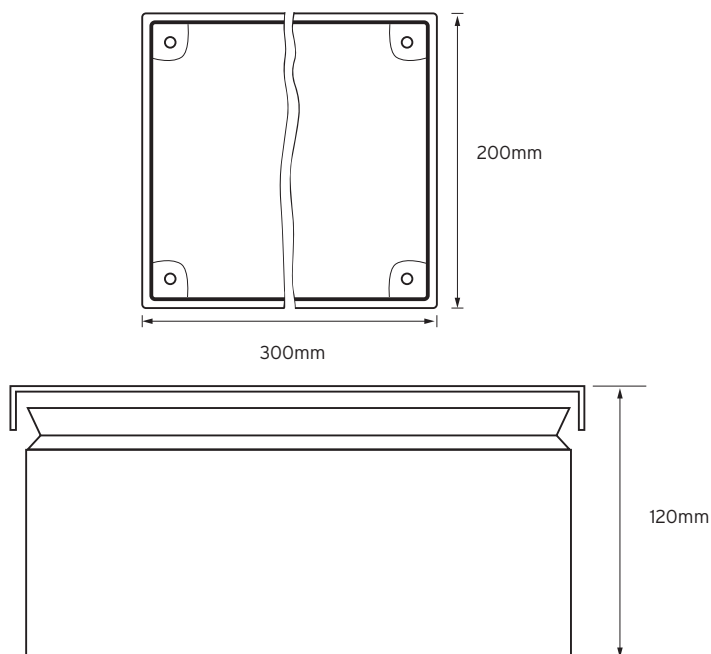


Wall mounting mild steel terminal box painted with epoxy-polyester powder paint. Standard RAL7035 colour. The polyurethane gasket keeps its profile over time to give a high degree of protection against water and dust. Lid fixed by 4 captive screws M5x35. Welded earth studs top and bottom.

#### General Characteristics

Standards	BSEN 60529
Ingress Protection	IP66
Height	200mm
Width	300mm
Depth	120mm
Enclosure Steel Thickness	1.2mm
Operating Temperature	-25°C to +55°C
Operating Relative Humidity at +20°C	90%
Operating Relative Humidity at +40°C	50%
Weight	3.2 Kg

#### Technical Drawing



#### Additional Information

The data herein serves only to describe the product and should not be regarded as representing guaranteed properties in the legal sense. We reserve the rights of modification, whilst every care has been taken in ensuring the accuracy of this catalogue, the Supplier accepts no liability whatsoever for any eventuality arising from errors or omissions within its catalogues, brochures or within any online presence.