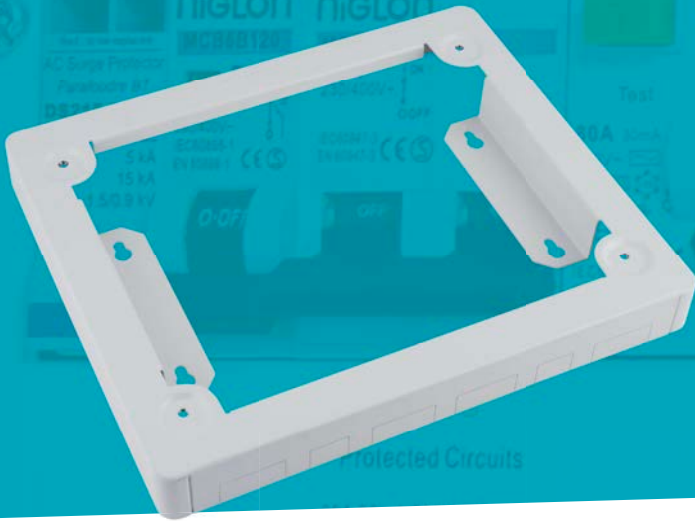


niGLON™

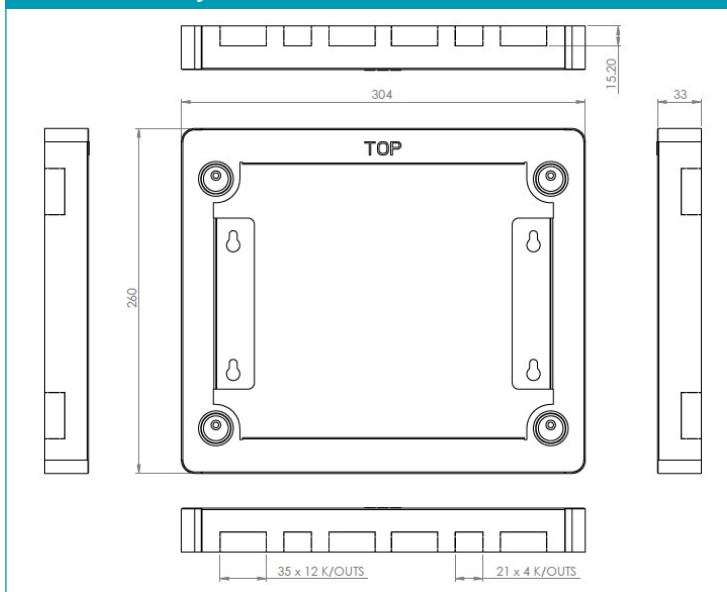
Circuit Protection

PSTAND01

14 Way Protego Rear Stand Off Plate



Technical Drawing



Technical Specifications

Material	Steel (Powder Coated)
Configuration	14 Way
Mounting Type	Surface
Consumer Unit Board Fixings Torque	M5 Spring & Flat Washer Screws (Supplied) 2.5Nm Max
Stand Off Plate Mounting Fixings	Not Supplied
Knockouts	Top: 2x21, 4x35 Bottom: 2x21, 4x35 Sides: 2x35 each side
Suitable for	16mm Mini trunking
Compatibility	Protego 14 Way Consumer Unit
Dimensions	See Tech Drawing